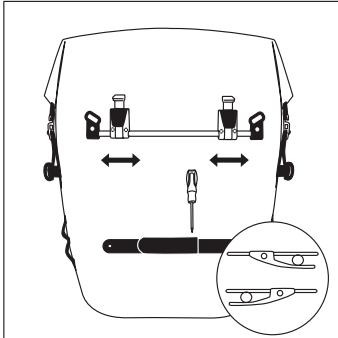


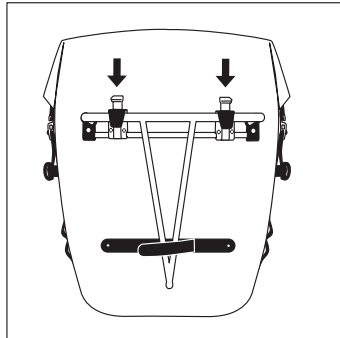
# SCAPE PANNIERS

## ATTACHMENT INSTRUCTIONS

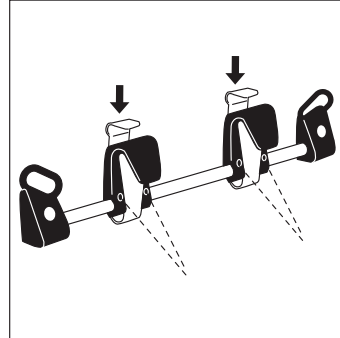
**1.**  
Check the direction of the stabilising clip based on your rack.



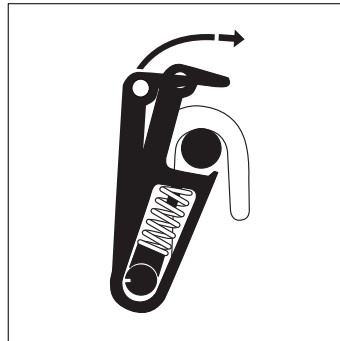
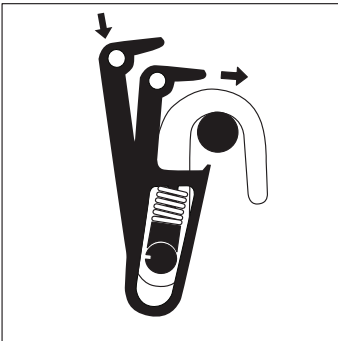
**2.**  
Attach the pannier to the rack.



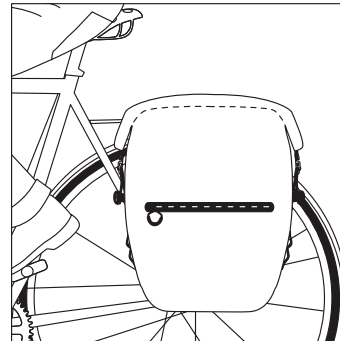
**3 - 4.**  
Press the grey buttons to lock the pannier to the rack.



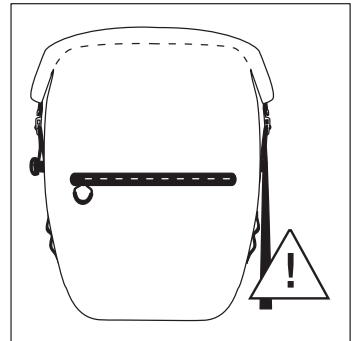
**5 - 6.**  
Press the grey buttons to lock the attachment to the rack.



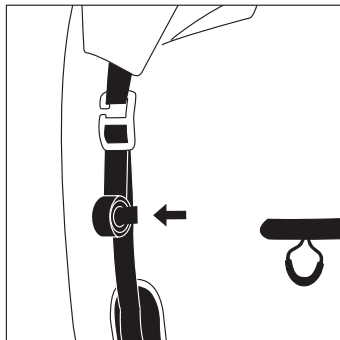
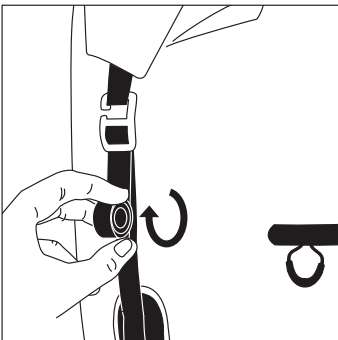
**7.**  
The pannier is now installed.



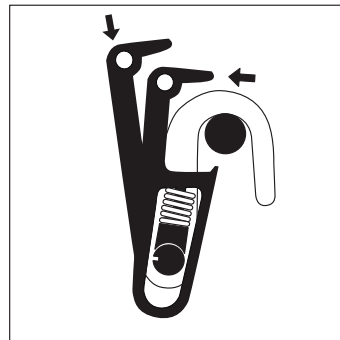
**8.**  
Check the strap length to avoid interference with your wheels.



**9 - 10.**  
Roll-up the strap end and secure it with the velcro strap.



**11.**  
To release the pannier, push the grey buttons toward the wheel



**12.**  
Use the cord handle to remove the pannier from the rack.

